



INSTALL INSTRUCTIONS

Spartan Skid Plate (All Models)

Product : XXXX-SPB

Application : All Spartan Models

(Only for models that have optional skid plate)

I WARNING

Read the instructions completely before beginning installation. Before tightening bolts, drilling or cutting where required, check to make sure there are no obstructions such as brake, fuel or electrical lines which may be damaged. Also keep in mind this is an after-market product and MAY require minor shimming and/or trimming, reaming, etc. for proper fit. Road Armor is not responsible for any damages to vehicle.

ⓘ IMPORTANT NOTICE

- Be sure to inspect and test fit your product to ensure proper fitment before having it coated, painted, bed lined, etc.
- Road Armor will not be responsible for the cost of coating your unit if any problems with fit or finish are not noted and addressed beforehand.

SAFETY FIRST!

- FOLLOW ALL INSTRUCTIONS, YOUR SAFETY AND THE SAFETY OF OTHERS IS MOST IMPORTANT.
- WEAR APPROPRIATE EYE PROTECTION AND EXERCISE CAUTION WHEN DRILLING / CUTTING

REQUIRED TOOLS

Metric/Standard Socket Set

Included Hardware

- 8 3/8"-16 x 7/8" ASTM F835 Hex Drive Zinc Finish Alloy Steel Button Socket Cap Screw
- 4 1/4"-20 x 3/4" ASTM F835 Hex Drive Zinc Finish Alloy Steel Button Socket Cap Screw
- 4 1/4" x 0.625" OD Low Carbon Zinc Finish Steel SAE General Purpose Flat Washer
- 10 3/8" x 0.812" OD Low Carbon Zinc Finish Steel SAE General Purpose Flat Washer
- 2 3/8" Zinc Finish Medium Split Lock Washer
- 2 3/8"-16 Zinc Finish Grade 5 Finished Hex Nut
- 3 5/16"-12 x 1" Hex - Unslotted Drive Indented Hex Washer Head Zinc Finish #3 Point Steel Self-Drilling Screw

This is to be installed after the bumper.

1 Remove factory skid plate from vehicle. This will involve removing 2 bolts from the crossmember and 2 to 3 bolts on the mounting location toward the front of the vehicle.

2 Connect the main body of the skid plate with the bracket.

(Note: Stock suspension bracket will have 2 slots)

(Note: Lifted suspension bracket will have 3 holes)

3 Place the skid plate onto the top part of the lower bumper and use 3/8" button head bolts to secure. Align skid plate and tighten the section under the bumper.

Apply lubrication the stainless hardware before installation

Stock Suspension directions

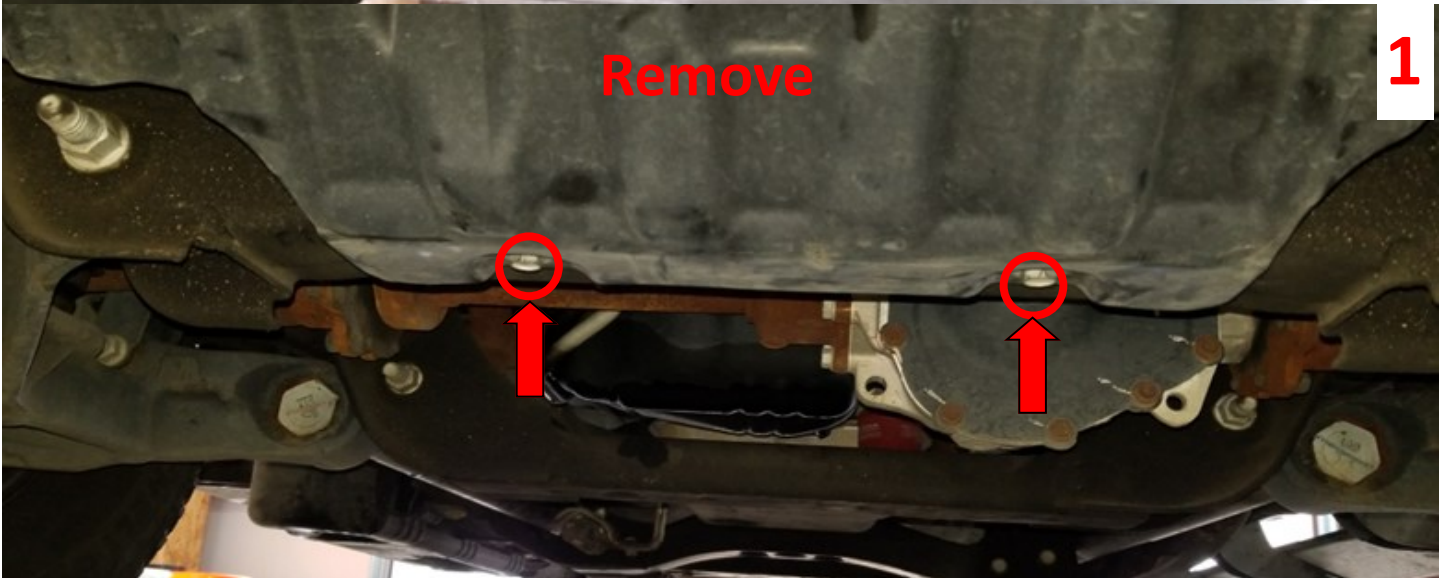
4a Align bracket with factory mounting location on suspension crossmember. Use factory hardware to attach lower part of skid plate assembly and tighten.

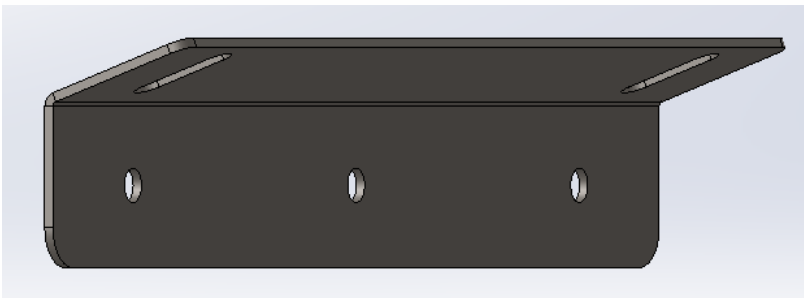
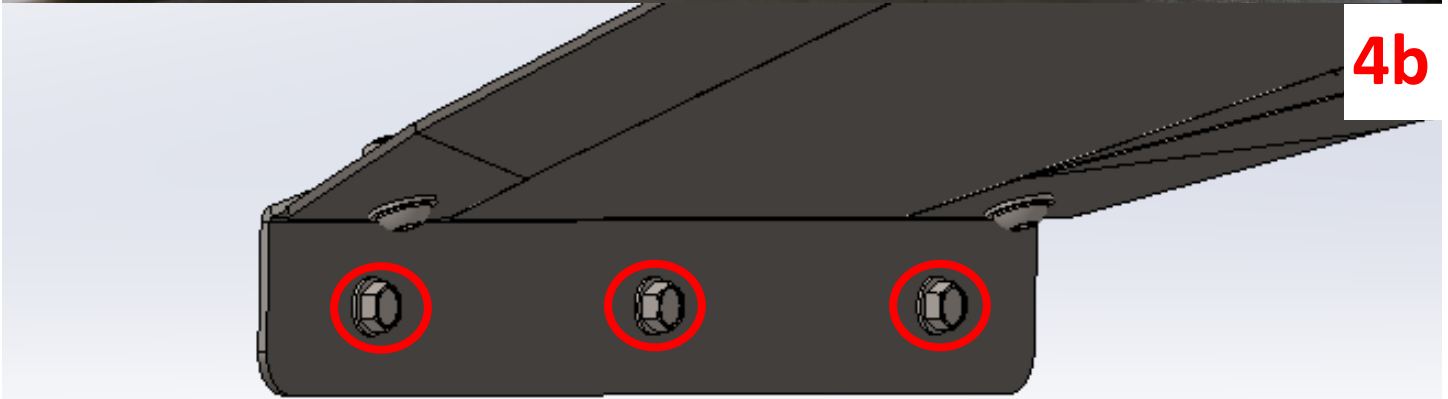
Lifted Suspension directions

4b Align bracket to aftermarket crossmember. Use (3) 5/16 self-drilling screws to secure the bracket.

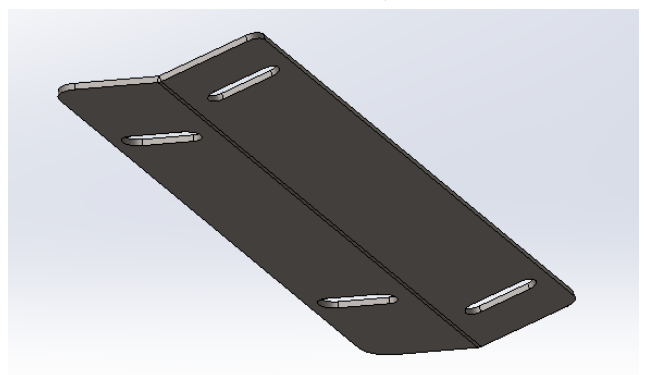
5 Tighten the 3/8" hardware connecting the main body of the skid plate to the bracket.

Note: When removing the skid plate for maintenance remove the 2 bolts holding the skid plate to the bracket and the bolts on the bottom side of the bumper.





Stock Suspension Bracket



Aftermarket Suspension Bracket