



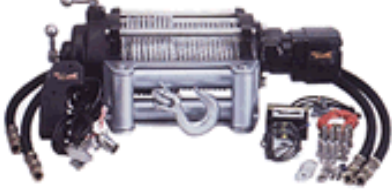

**GENERAL NOTES:**

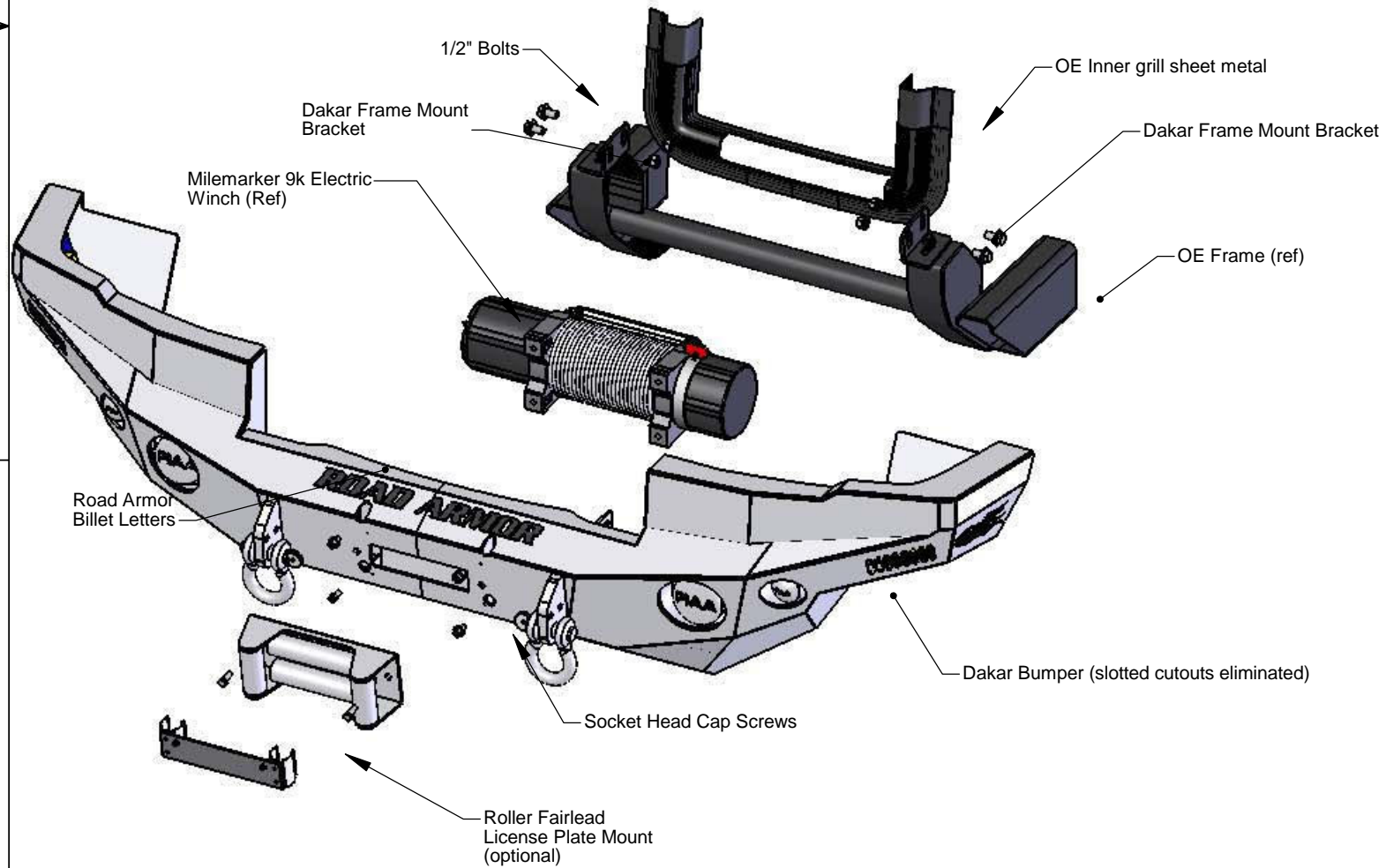
**Parts List:**

- 1 ea. Dakar Front Winch Mount Bumper
- 1 ea. Pass/Driver Frame Mount Bracket
- 4 ea. 1/2-13 x 1-1/2" UNC Gr 8 Bolt
- 4 ea. 1/2-13 UNC Gr 8 Nut
- 4 ea 1/2" Gr 2 Flat Washer
- 4 ea 1/2" Gr 2 Lock Washers
- 4 ea 3/8-16 UNC Gr 8 Socket Head Cap Screws
- 1 ea Road Armor Billet Letters (

**Optional Accessories:**

- Winches: Milemarker Hydraulic, 12k lbs cap PN 70-52000C. Milemarker Electric 9k lbs cap. PN 76-50040C (12V DC)
- Fog Lights: PIAA 510 Ion Crystal PN 5161
- Driving Lights: PIAA 1100X Super White Driving PN 1192

Road Armor Factory Approved Accessories			
			
PIAA 1100 X Driving Lights	PIAA 510 Driving Lights	Milemarker Hydraulic Winch 12,000 Lbs Cap	Milemarker Electric Winch 9,000 Lbs Cap



**UNLESS NOTED OTHERWISE**

LINEAR = INCHES	ANGLE = DEGREES
.X ± .100	Bend ± 1.0°
.XX ± .030	Mach ± 0.5°
.XXX ± .005	
fract. ± .030	

INTERPRET GEOMETRIC TOLERANCING PER:  
ANSI Y14.5

MATERIAL	
FINISH	

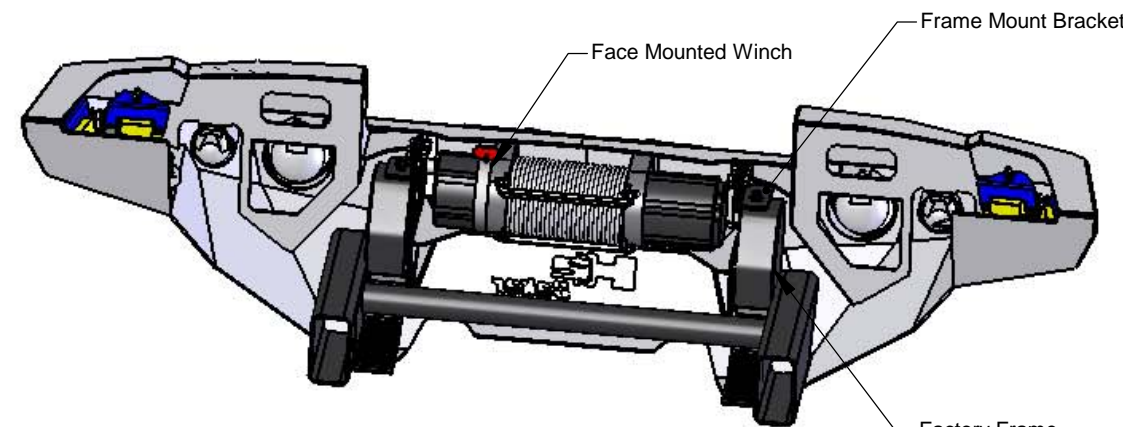
	NAME	DATE
DRAWN		
CHECKED		
ENG APPR.		
MFG APPR.		
Q.A.		

		<b>Road Armor</b> 4650 NALL RD, DALLAS, TX	
TITLE:		<b>H2 Dakar Front Winch Bumper Installation Instructions</b>	
SIZE	DWG. NO.		
<b>B</b>	<b>H2-10 Install</b>	<b>Rev -</b>	
SCALE: 1:4		lbs	SHEET 1 OF 3

**PROPRIETARY AND CONFIDENTIAL**  
THE INFORMATION CONTAINED IN THIS DRAWING IS THE SOLE PROPERTY OF ROAD ARMOR, LLC. ANY REPRODUCTION, IN PART OR AS A WHOLE WITHOUT THE WRITTEN PERMISSION OF ROAD ARMOR IS PROHIBITED.

**SPECIFICATIONS:**

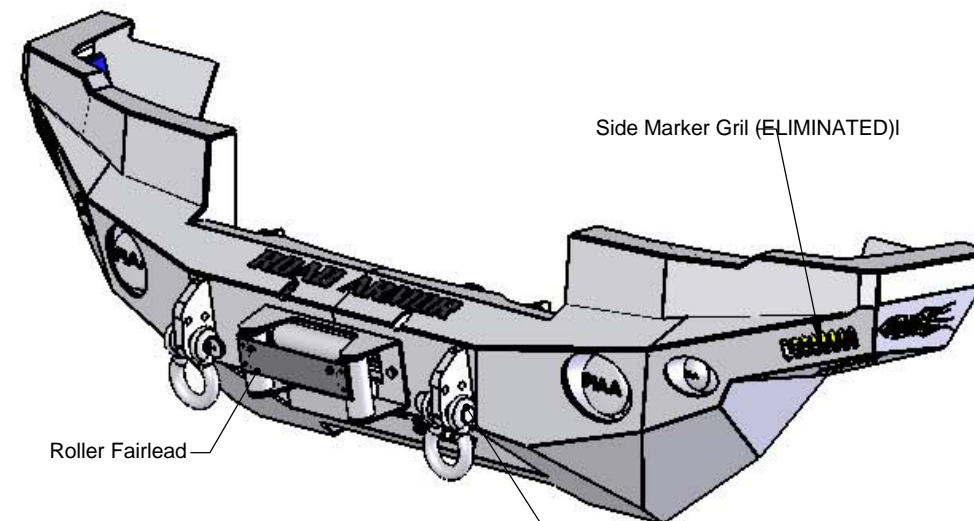
Product Name: Road Armor Dakar Hidden Winch Mount Front End Replacement PN H2-10  
 Application: '02+ General Motors Hummer H2  
 Material: Primary structure 3/16" H.R. P&O A36 Descaled Steel. Recovery points 3/4" H.R. P&O A36 Descaled Steel  
 Weight: 115 Lbs.  
 Construction: Laser cut, press brake formed, mig welded.  
 Finish: All exterior welds smoothed and polished by hand. All surfaces acid etched and powder coated 4 mills thick.  
 Color: Standard Satin Black, custom colors per order  
 Hidden Winch Style Capacity: Up to 12,000 winch. Minor inner grill trimming required.  
 Vehicle Mounting: Four point solid connection to OE frame. No frame modifications required.  
 OE Safety Compliant: Air bag compatible, crumple zone compliant.  
 Skid Plating: Front end full wrap skid plating.  
 Accessories: Recessed driving and fog light mounts, side marker light grills/mounts, downward auxillary light grills/mounts.



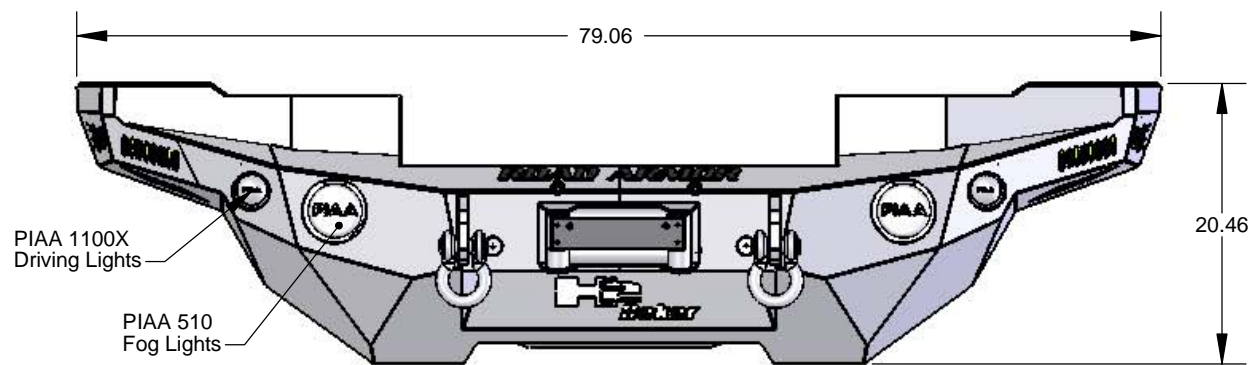
REAR ISO VIEW



TOP VIEW

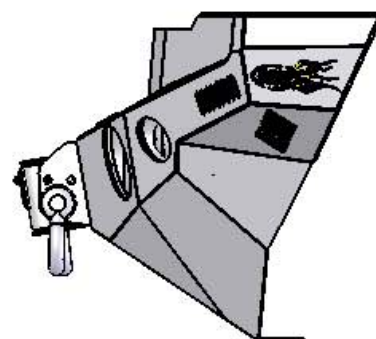


FRONT ISO VIEW

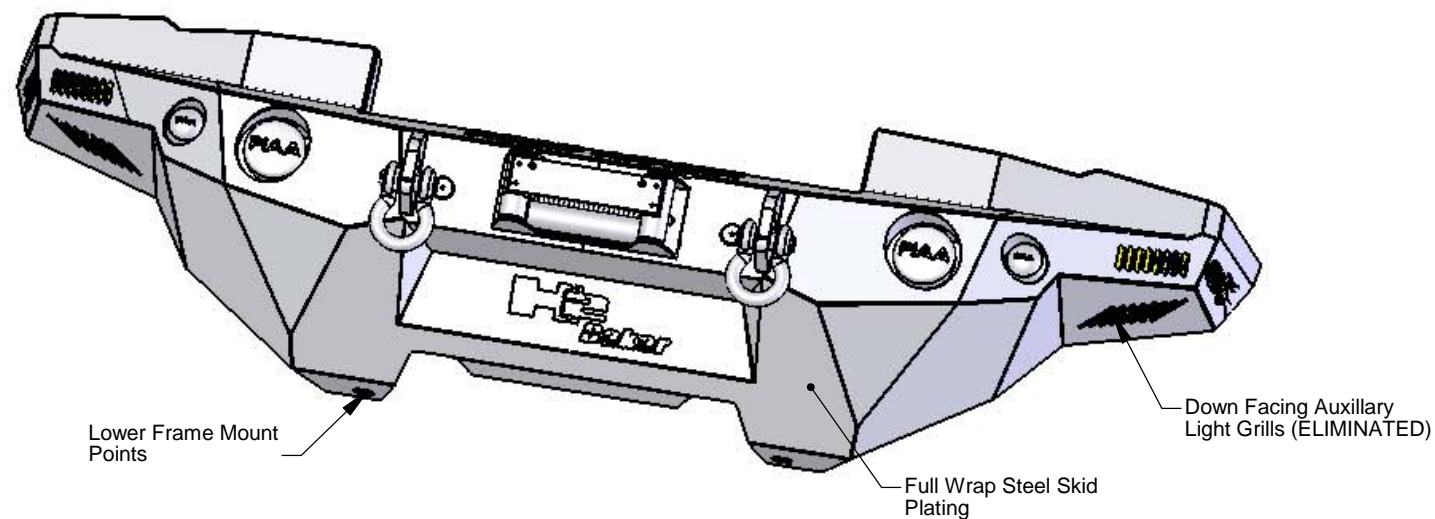


FRONT VIEW

Dakar "Dry" Weight 115 Lbs



SIDE VIEW




**UNLESS NOTED OTHERWISE**

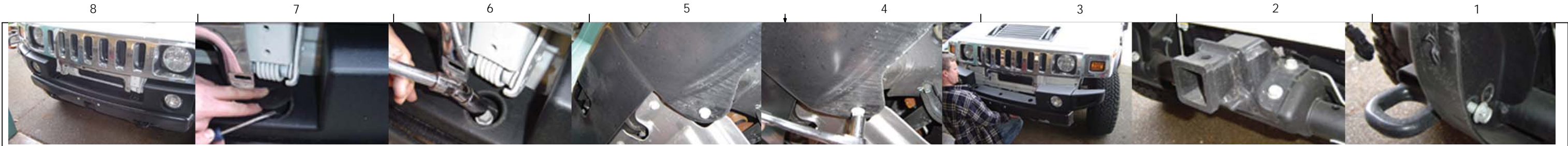
LINEAR = INCHES ANGLE = DEGREES  
 .X ± .100 Bend ± 1.0°  
 .XX ± .030 Mach ± 0.5°  
 .XXX ± .005  
 fract. ± .030

INTERPRET GEOMETRIC TOLERANCING PER:  
**ANSI Y14.5**

MATERIAL  
 FINISH

NAME		DATE		 <p><b>Road Armor</b> 4650 NALL RD; DALLAS, TX</p>
DRAWN				
CHECKED				
ENG APPR.				
MFG APPR.				TITLE:
Q.A.				<b>H2 Dakar Front Winch Bumper Installation Instructions</b>
SIZE	DWG. NO.			
<b>B</b>	<b>H2-10 Install</b>	<b>Rev -</b>		
SCALE: 1:4		lbs	SHEET 2 OF 3	

**PROPRIETARY AND CONFIDENTIAL**  
 THE INFORMATION CONTAINED IN THIS DRAWING IS THE SOLE PROPERTY OF ROAD ARMOR, LLC. ANY REPRODUCTION, IN PART OR AS A WHOLE WITHOUT THE WRITTEN PERMISSION OF ROAD ARMOR IS PROHIBITED.



8 Remove factory grill      7 Remove plastic caps covering fasteners      6 Remove bolts securing factory bumper      5 Underside frame bolt location      4 Remove lower bolts      3 Remove entire bumper assy      2 Remove factory receiver hitch mount      1 Remove factory tow loops



Install Dakar frame mount brackets as shown      Inner grill cut out for winch clearance, see drawing below for details      Underside bolt location through bumper skid plate

**INSTALLATION PROCEDURE:**

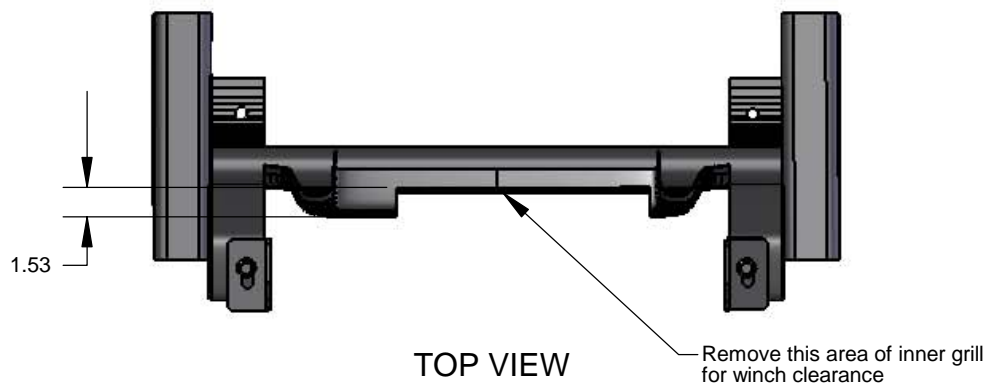
STEP 1) Remove factory front bumper assembly. Remove factory receiver winch mount. Remove factory tow loops. Wire tie DRL wiring to keep restrained.

STEP 2) Mount accessories in Dakar bumper as needed. If a winch is to be used modify inner grill as shown, 3/8" socket head cap screws are provided for mounting the winch.

STEP 3) Place Dakar frame mount brackets on top of frame as shown. Place Dakar bumper into position over vehicle frame. Insert upper lateral 1/2" x 1-1/2" bolts with washers and connect bumper to frame brackets as shown. Insert underside factory frame bolts through lower bolt holes and secure until head of bolts contact bumper.

STEP 4) Align bumper to vehicle, tighten all fasteners.

STEP 5) Wire accessories as required.



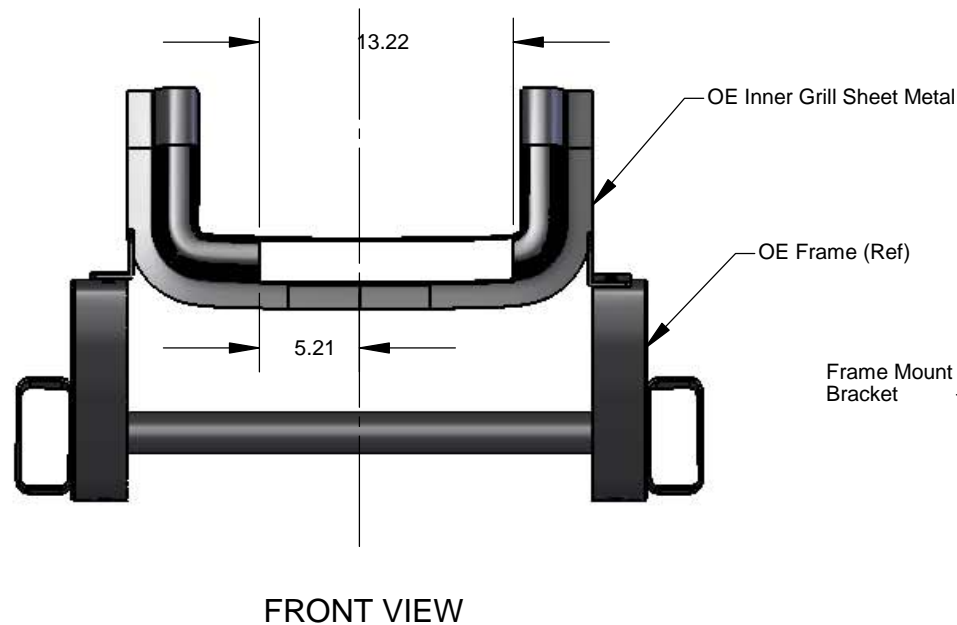
Side View



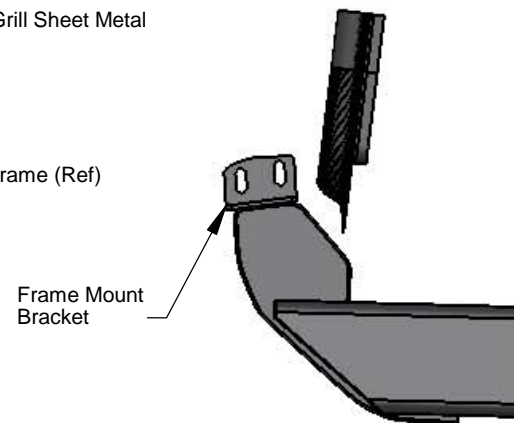
Three quarter side view showing correct installation




Front view showing proper clearance under fender



FRONT VIEW



SIDE VIEW

<b>UNLESS NOTED OTHERWISE</b>		NAME	DATE	 <p><b>Road Armor</b> 4650 NALL RD, DALLAS, TX</p>
LINEAR = INCHES	ANGLE = DEGREES			
.X ± .100	Bend ± 1.0°			
.XX ± .030	Mach ± 0.5°			
.XXX ± .005				
fract. ± .030				
INTERPRET GEOMETRIC TOLERANCING PER: ANSI Y14.5		PROPRIETARY AND CONFIDENTIAL THE INFORMATION CONTAINED IN THIS DRAWING IS THE SOLE PROPERTY OF ROAD ARMOR, LLC. ANY REPRODUCTION, IN PART OR AS A WHOLE WITHOUT THE WRITTEN PERMISSION OF ROAD ARMOR IS PROHIBITED.		TITLE: <b>H2 Dakar Front Winch Bumper Installation Instructions</b>
MATERIAL		SIZE	DWG. NO.	
FINISH		<b>B</b>	<b>H2-10 Install</b>	<b>Rev -</b>
		SCALE: 1:4	lbs	SHEET 3 OF 3