

INSTALL INSTRUCTIONS

Adaptive Cruise Control Module

Product : 618-ACM

Application: 2017-UP Ford F-250, F-350, F-450

2015-2017 Ford F150

(WINCH and NON-WINCH)

I WARNING

Read the instructions completely before beginning installation. Before tightening bolts, drilling or cutting where required, check to make sure there are no obstructions such as brake, fuel or electrical lines which may be damaged. Also keep in mind this is an after-market product and MAY require minor shimming and/or trimming, reaming, etc. for proper fit. Road Armor is not responsible for any damages to vehicle.

ⓘ IMPORTANT NOTICE

- Be sure to inspect and test fit your product to ensure proper fitment before having it coated, painted, bed lined, etc.
- Road Armor will not be responsible for the cost of coating your unit if any problems with fit or finish are not noted and addressed beforehand.

SAFETY FIRST!

- FOLLOW ALL INSTRUCTIONS, YOUR SAFETY AND THE SAFETY OF OTHERS IS MOST IMPORTANT.
- WEAR APPROPRIATE EYE PROTECTION AND EXERCISE CAUTION WHEN DRILLING / CUTTING

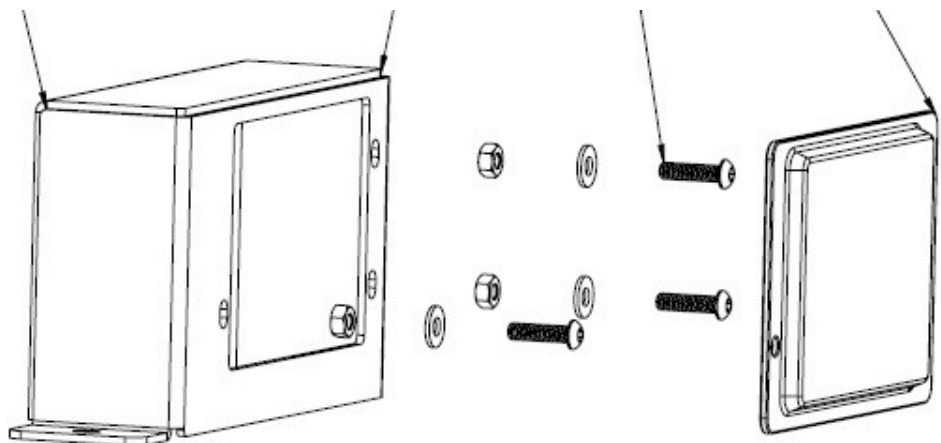
REQUIRED TOOLS

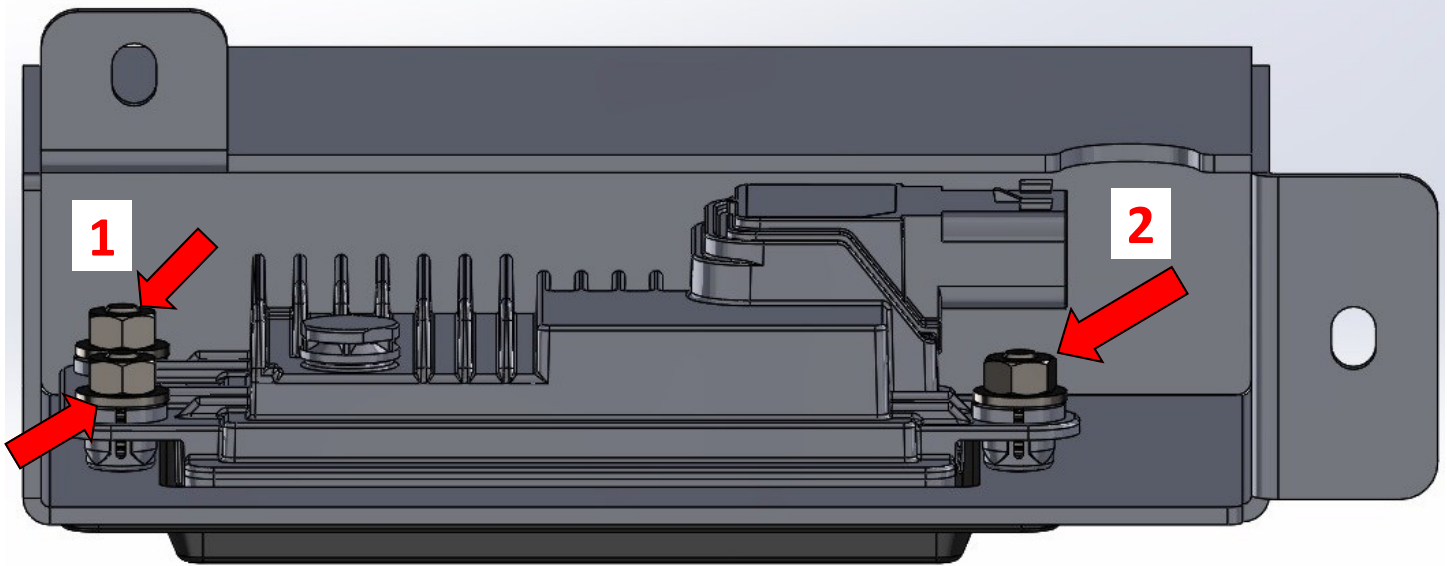
Metric and SAE Socket Sets and Wrenches

Drill with 1/4" Drill Bit or Step Bit

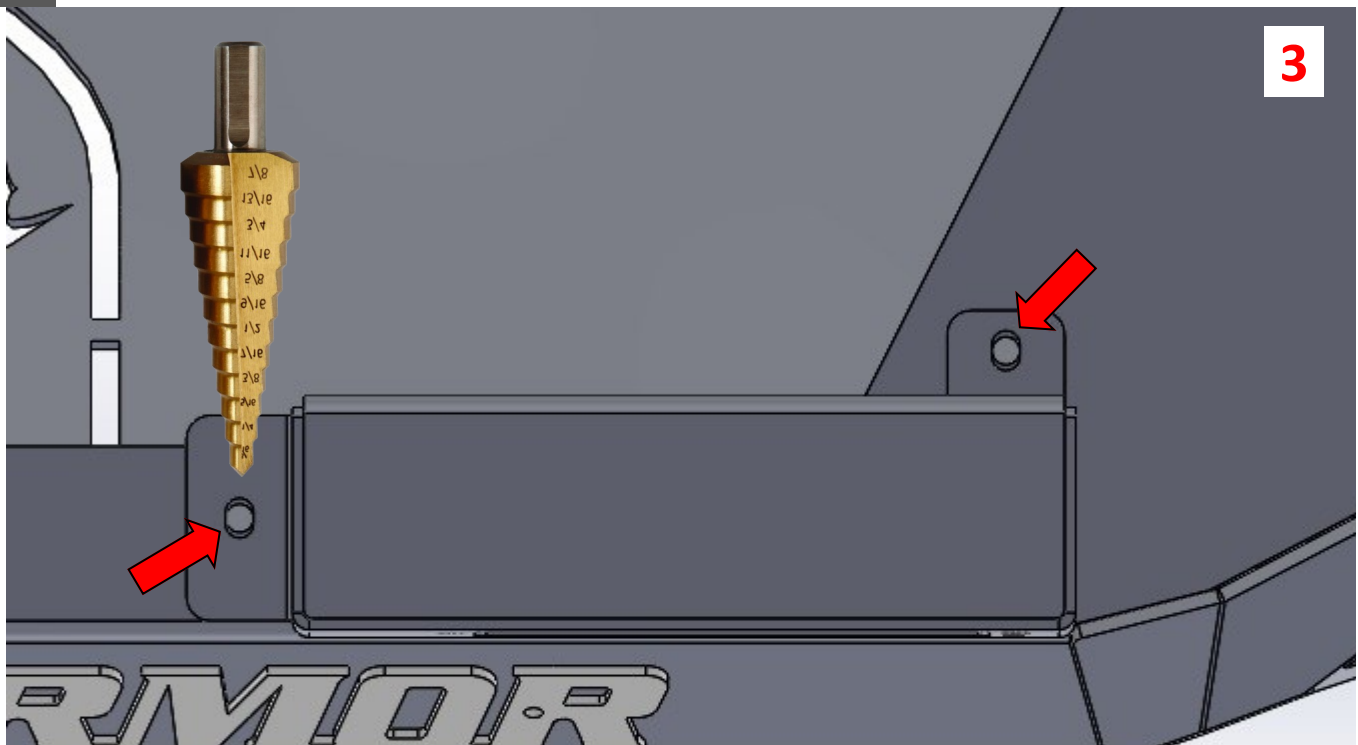
KIT INCLUDED:

- (5) 1/4-in x 1in Stainless Button Head Bolts
- (5) 1/4-in Grade A Nuts
- (7) 1/4-in Grade SAE Washers
- (2) 1/4-in Lock Washers
- (1) ACM COVER
- (1) 618-ACM RELOCATION BOX





- 1** Assemble ACM cover, box and sensor with 3 - 1/4" hardware (Bolt, Washers and Nut) through kit ACM cover, then kit box and into ACM sensor securing it to the kit box/sensor housing. ****DO NOT OVER TIGHTEN****
- 2** Plug the ACM harness back into sensor and place sensor housing on top of bumper as shown below.
- 3** Using ACM BOX as reference, drill 2 - 1/4" holes on top of bumper as shown below. Use 2 - 1/4" hardware (Bolt, Washers, Lock Washer and Nut) through kit box and bumper to secure the box to top of bumper. (Top DVR Side)



7 Ensure ACM harness is secure and functions properly.

Finished

